

SIGN MAP

SIGNAGE LEGEND	
SYMBOL	DESCRIPTION
M1	MONUMENT SIGN
D1	EXIT ONLY / DRIVE CLEAN - DOUBLE SIDED
D2	EXIT ONLY - SINGLE SIDED
D3	YIELD SIGN
A1	ENTRANCE ARROW
A2	EXIT ARROW
A3	EXIT + FREE VACS - SINGLE SIDED
A4	CARWASH ENTRANCE - SINGLE SIDED
E1	LOGO PANEL
E2	LOGO PANEL + "CAR WASH"
E3	NOT USED
E4	POS CANOPY LETTERS
E5	DISCLAIMER SIGN

9810 E 58th St, Tulsa, OK 74146
 (918) 286 8535
 www.encinos3d.com

CUSTOMER:
 Splash Carwash Bryant

CITY AND STATE:
 2116 N Reynolds Rd, Bryant
 AR 72022

DATE:
 05-05-2023

DRAWING NUMBER:
 230379

SCALE:
 1/16" = 1'

PAGE NO.:
 1-1

PROJECT MANAGER:
 Jamon Glidewell

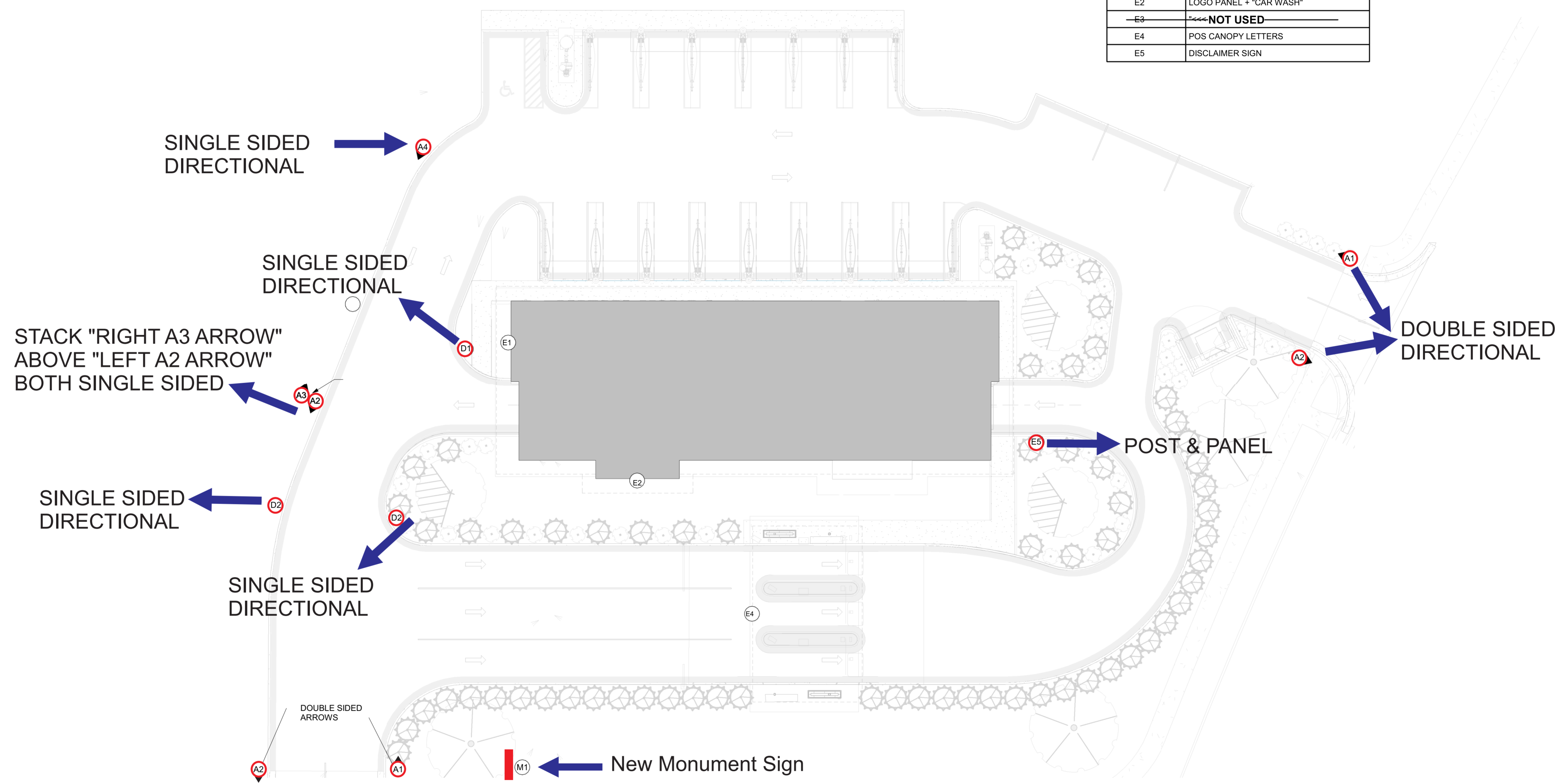
DESIGNER:
 Mariana Moran

SOLD BY:
 Jesus Ortiz

Please proofread all information carefully for accuracy before signing. Check names, numbers, spelling, punctuation as well as the general layout. Revisions requested after second proof are not included in the original quoted price and will be charged accordingly.

Any typographical and or layout errors not found now will be the customers responsibility.

- PYLON SIGNS
- CASINO SIGNS
- MONUMENT SIGNS
- NEON SIGNS
- BLADE SIGNS
- WALL SIGNS
- CHANNEL LETTERS
- INTERIOR SIGNS
- WAY FINDING SIGNS
- POST & PANEL
- LED DISPLAY
- COMMERCIAL & ARCHITECTURAL SIGNS



5C SIGNAGE MAP
 1/16" = 1'-0"

CUSTOMER:
 Splash Carwash Bryant

CITY AND STATE:
 2116 N Reynolds Rd, Bryant AR
 72022

DATE:
 05-05-2023

DRAWING NUMBER:
 230379

SCALE:
 3/4" = 1'

PAGE NO.:
 1-1

PROJECT MANAGER:
 Jamon Glidewell

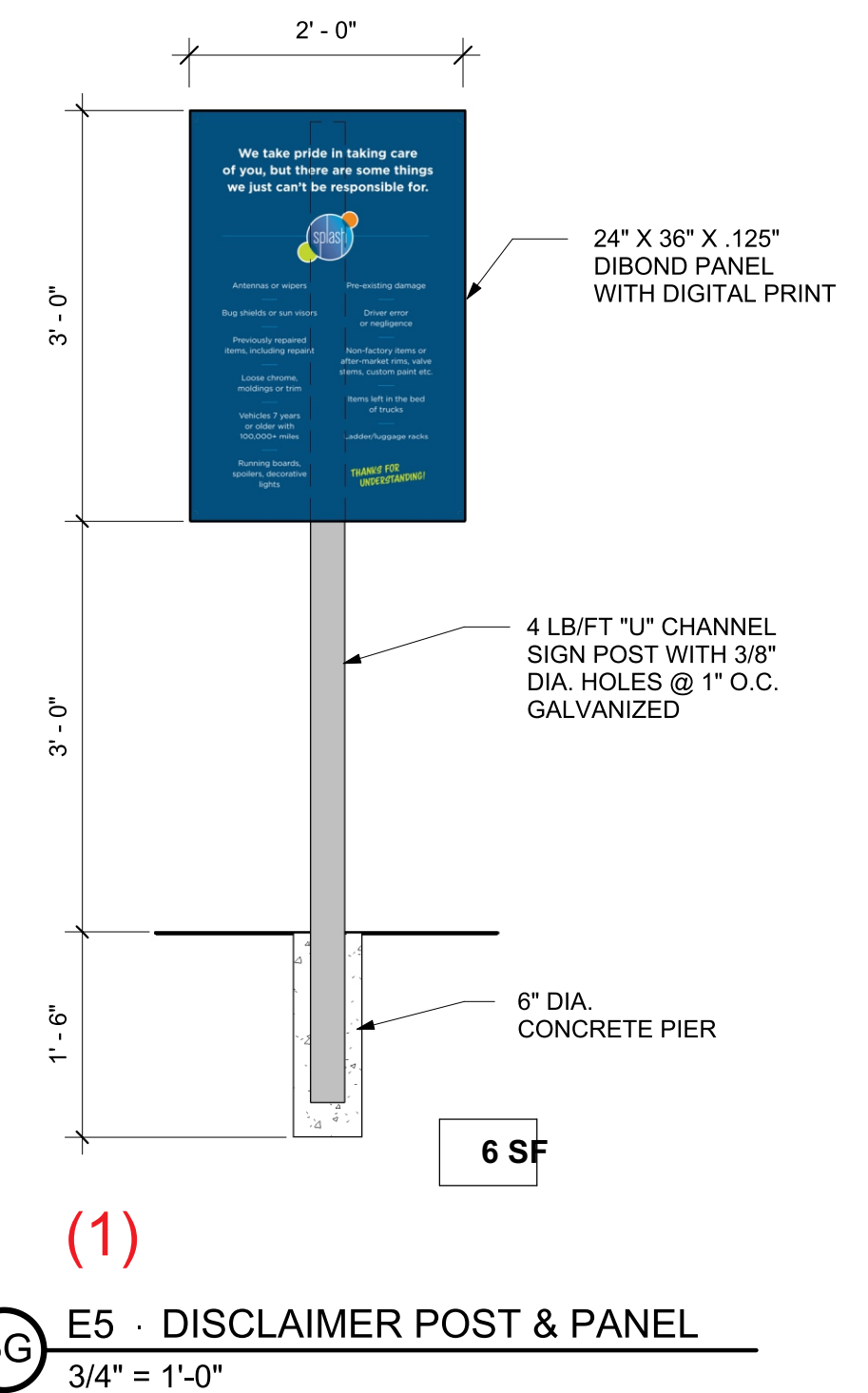
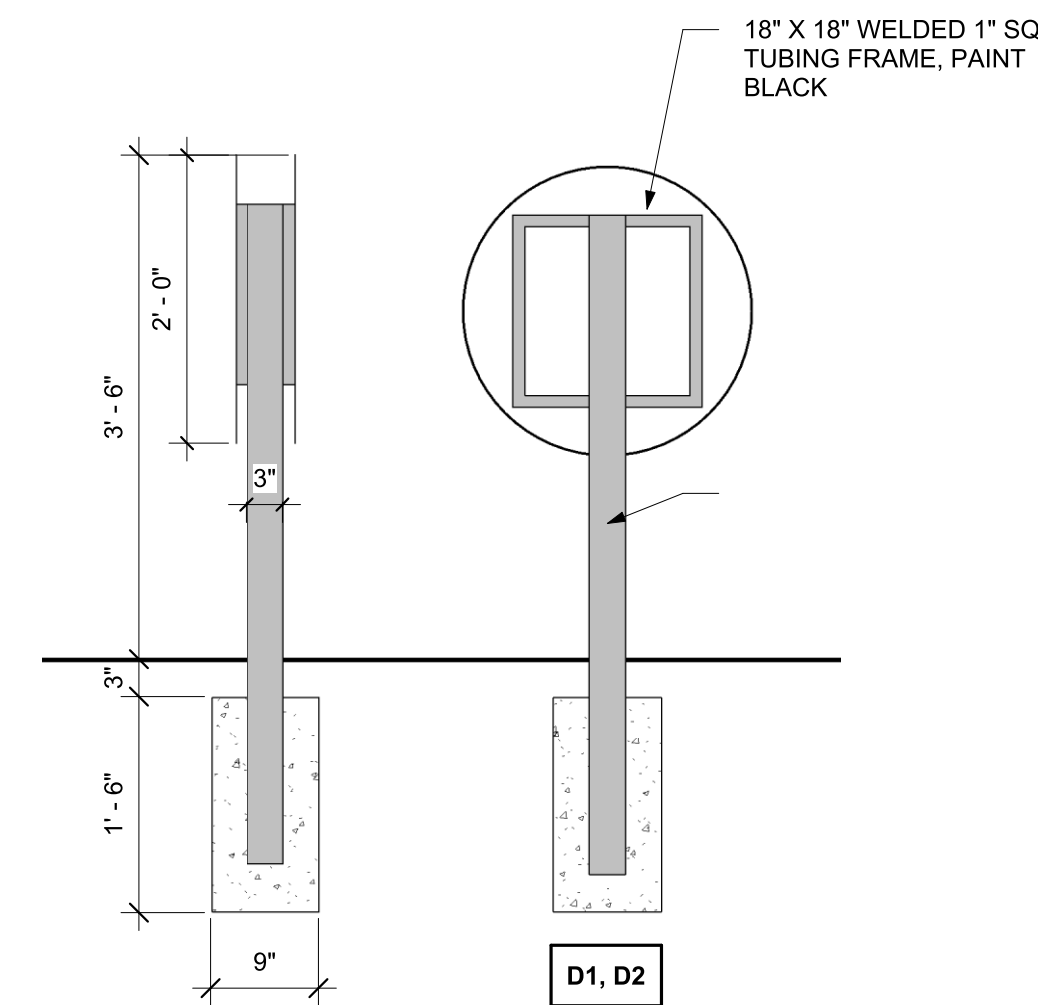
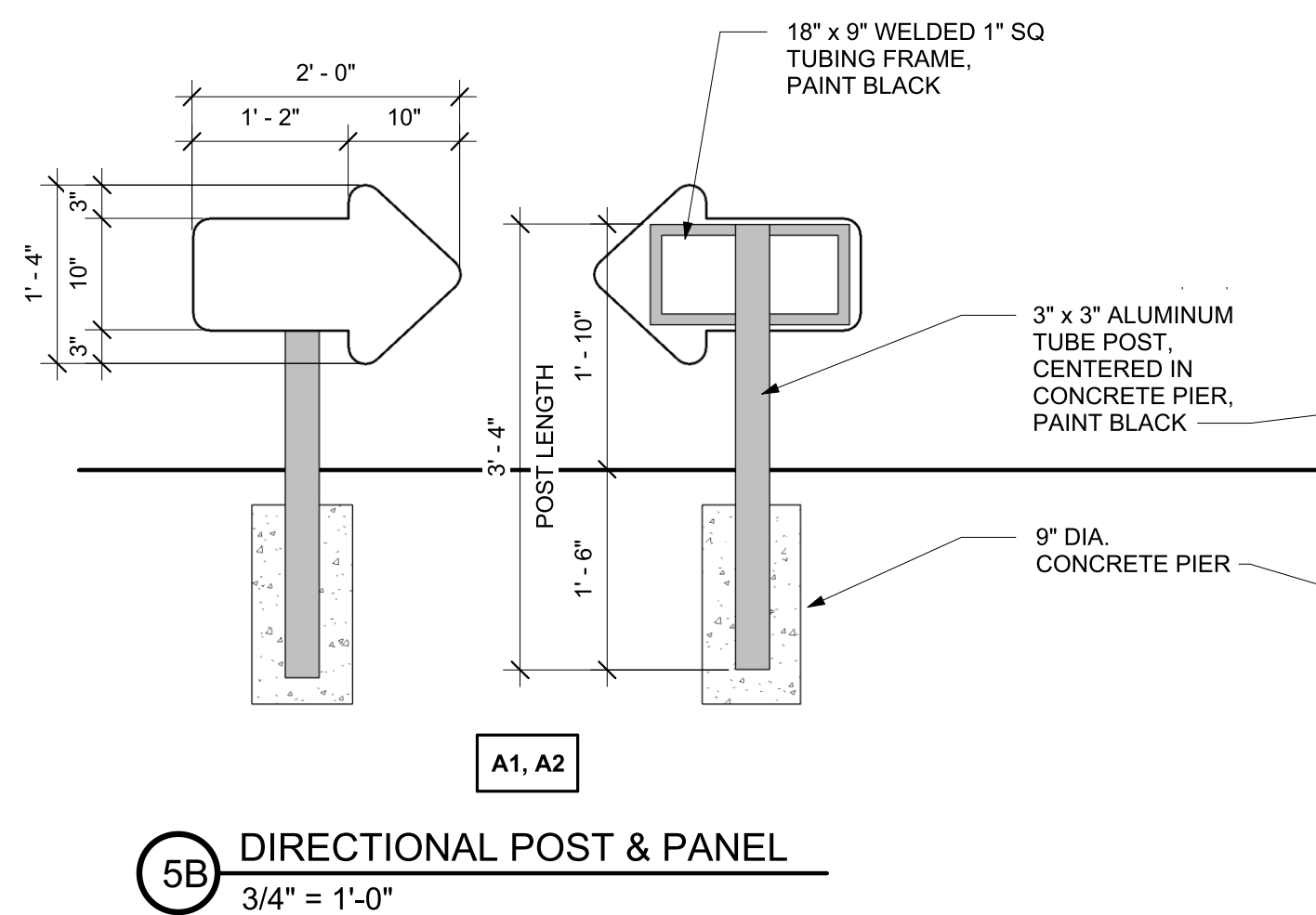
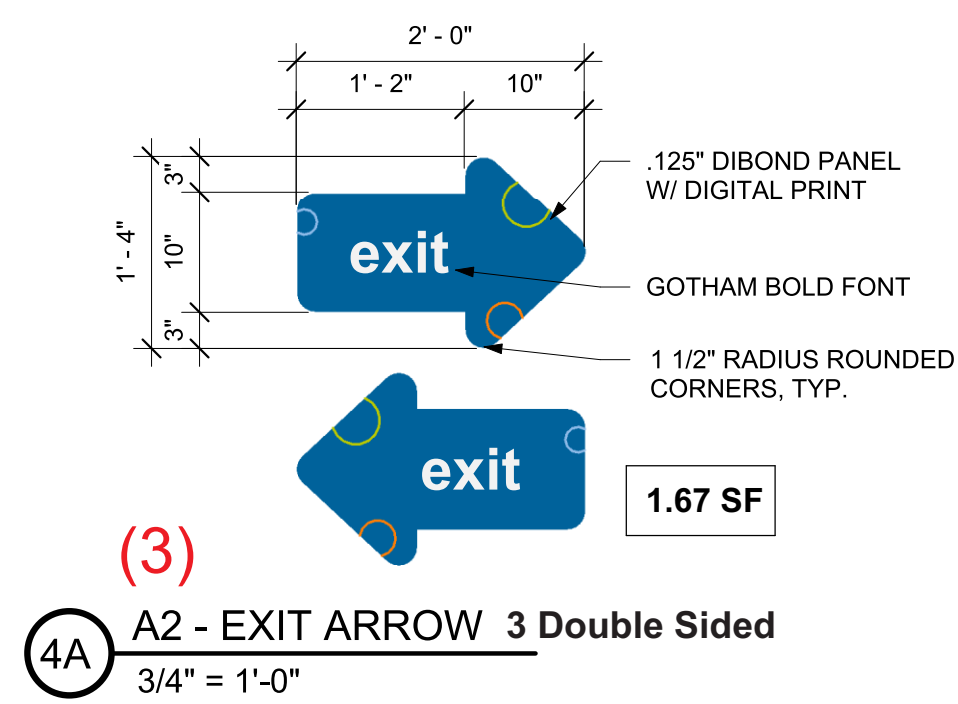
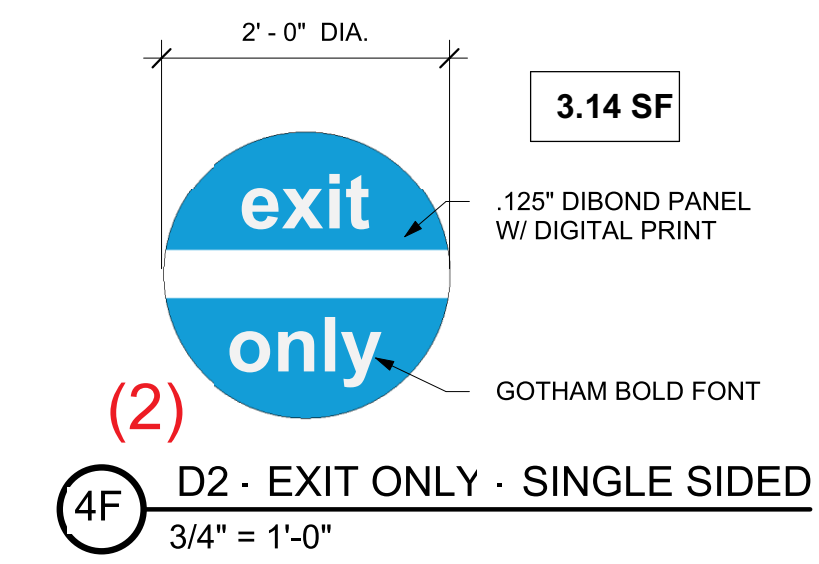
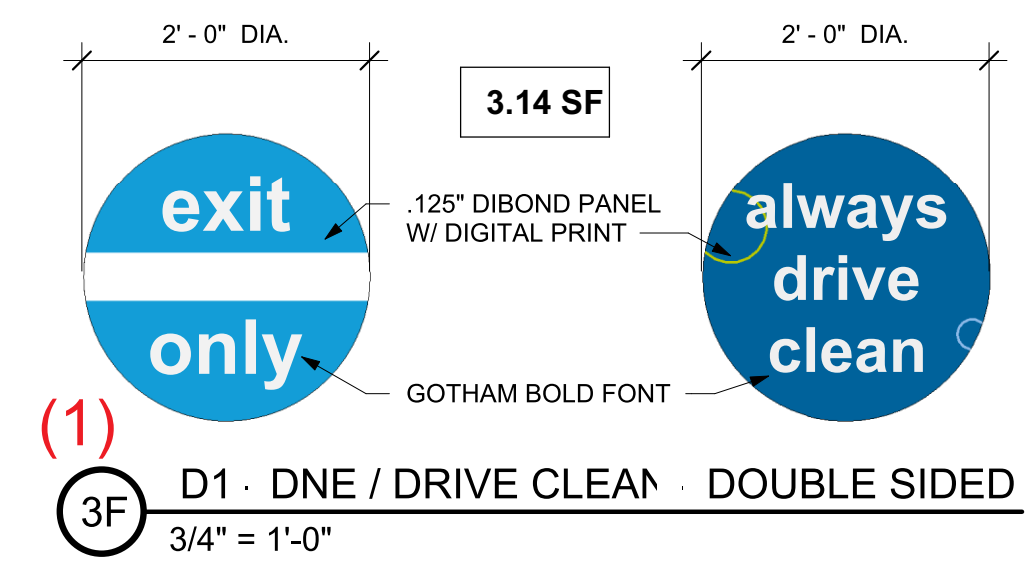
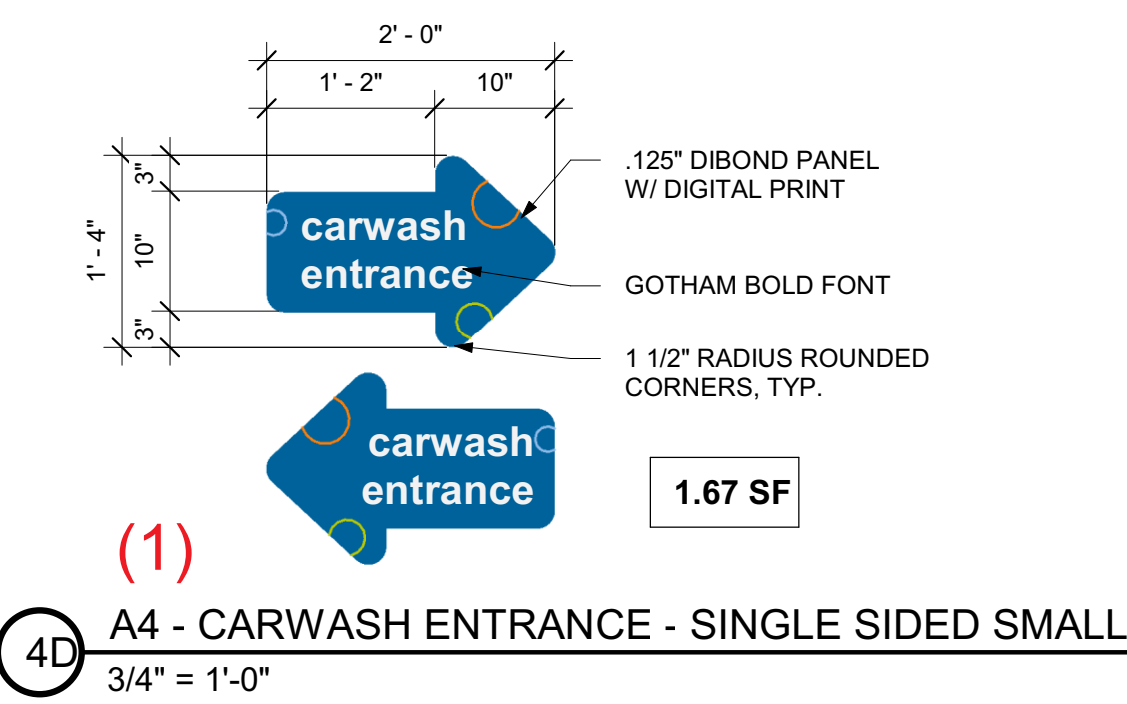
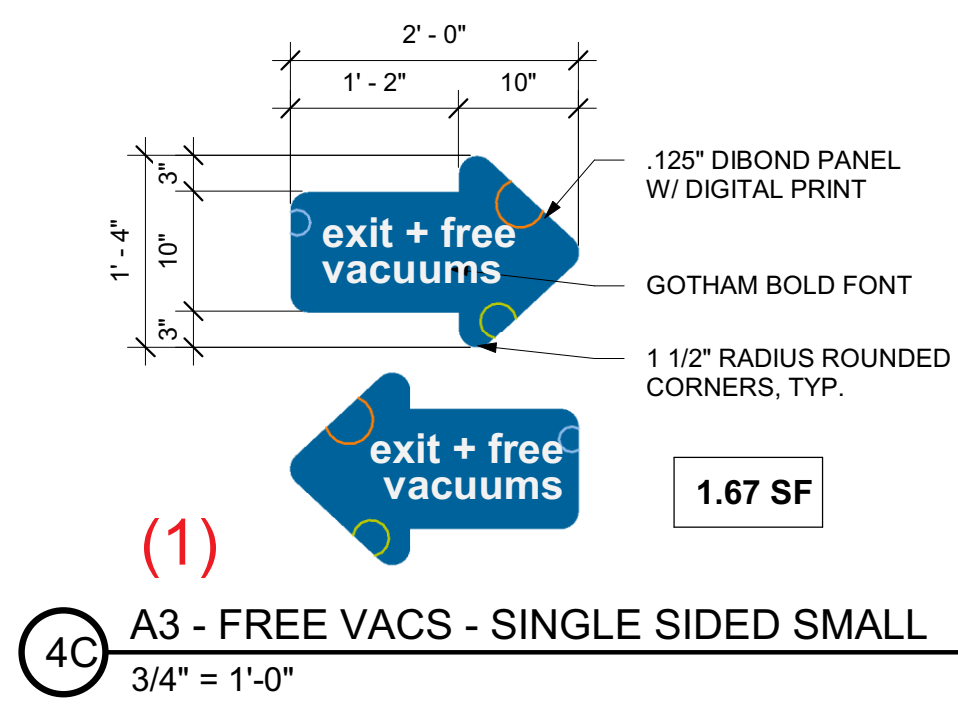
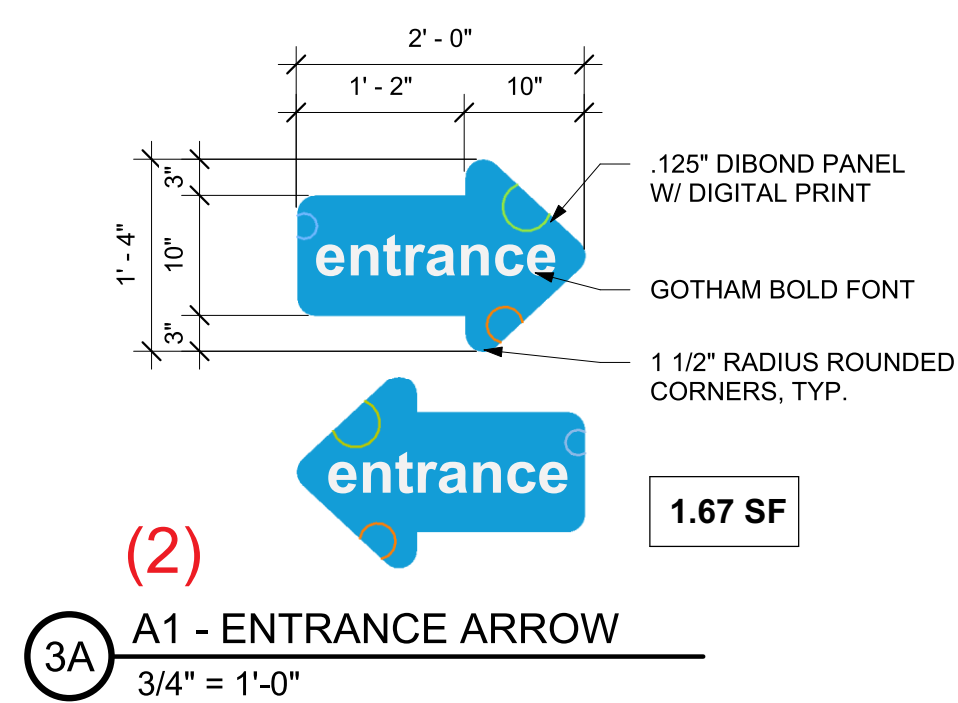
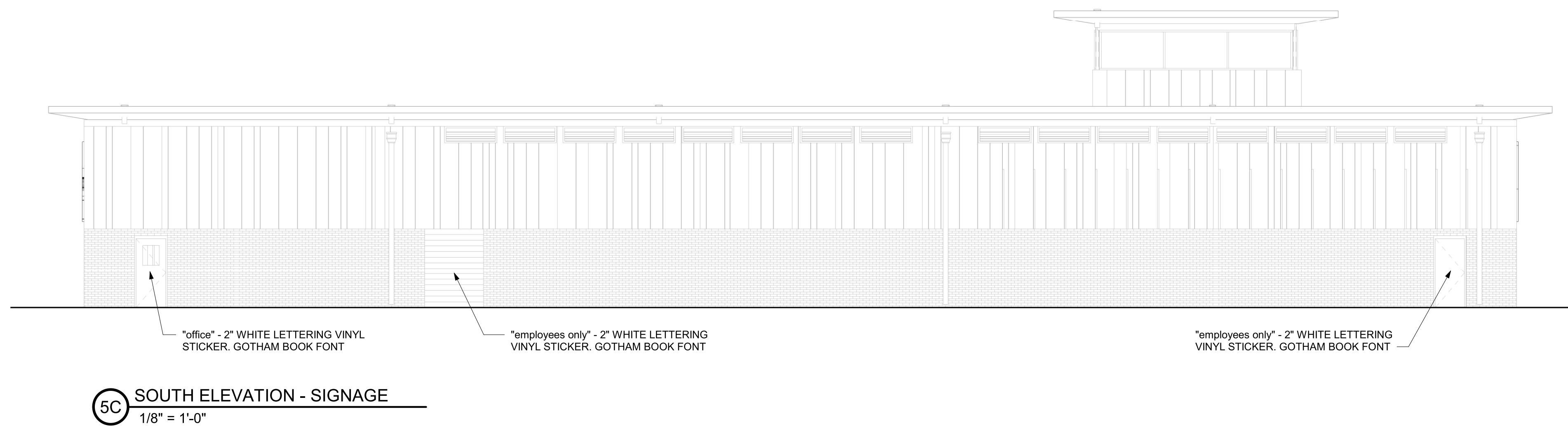
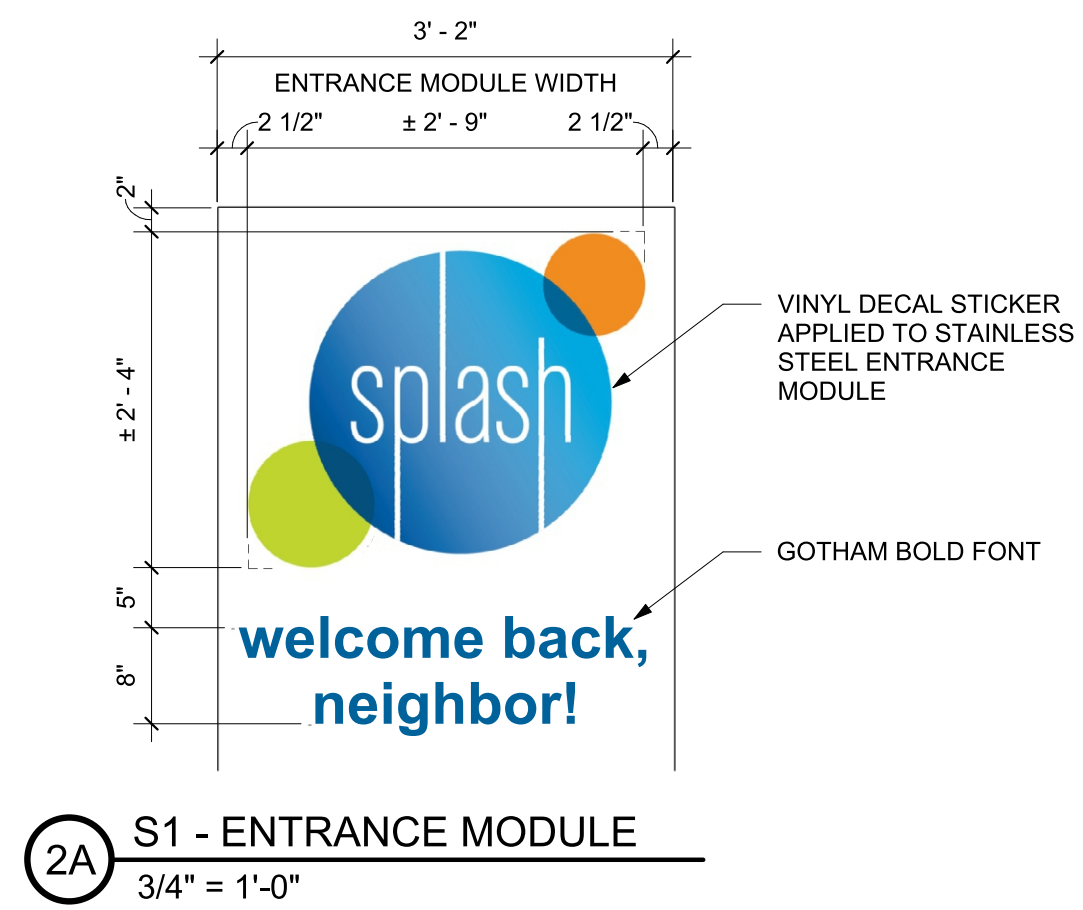
DESIGNER:
 Mariana Moran

SOLD BY:
 Jesus Ortiz

Please proofread all information carefully for accuracy before signing. Check names, numbers, spelling, punctuation as well as the general layout. Revisions requested after second proof are not included in the original quoted price and will be charged accordingly. Any typographical and or layout errors not found now will be the customers responsibility.

- PYLON SIGNS
- CASINO SIGNS
- MONUMENT SIGNS
- NEON SIGNS
- BLADE SIGNS
- WALL SIGNS
- CHANNEL LETTERS
- INTERIOR SIGNS
- WAY FINDING SIGNS
- POST & PANEL
- LEDDISPLAY
- COMMERCIAL & ARCHITECTURAL SIGNS

SIGNAGE DETAILS



CUSTOMER:
Splash Carwash Bryant

CITY AND STATE:
2116 N Reynolds Rd, Bryant AR
72022

DATE:
05-05-2023

DRAWING NUMBER:
230379

SCALE:

PAGE NO.:
1-1

PROJECT MANAGER:
Jamon Glidewell

DESIGNER:
Mariana Moran

SOLD BY:
Jesus Ortiz

Please proofread all information carefully for accuracy before signing. Check names, numbers, spelling, punctuation as well as the general layout. Revisions requested after second proof are not included in the original quoted price and will be charged accordingly. Any typographical and or layout errors not found now will be the customers responsibility.

- PYLON SIGNS
- CASINO SIGNS
- MONUMENT SIGNS
- NEON SIGNS
- BLADE SIGNS
- WALL SIGNS
- CHANNEL LETTERS
- INTERIOR SIGNS
- WAY FINDING SIGNS
- POST & PANEL
- LEDDISPLAY
- COMMERCIAL & ARCHITECTURAL SIGNS

